

Prostate Scan

What is a prostate scan?

A prostate scan is a test that can help determine if there has been a spread of cancer from the prostate to other tissue.

Why am I having a prostate scan?

If there is a high suspicion that there may have been a spread of your prostate cancer or if your PSA is high or shows a sudden rise, this test may be helpful to your doctor in deciding your options for treatment.

What about radiation?

The material that allows us to do this scan contains a very small amount of radioactivity, and will naturally decay on its own.

Are there any preparations for this test?

There is no special preparation for this scan. If you have had this study done before, let the technologist know.

You will be given medicine to clean out your lower bowel or colon after your injection of radioactive material. This bowel prep is done to give a better view of your organs during the test. This will be explained to you more at the time of your test.

More on next page →

Learn more about your health care.

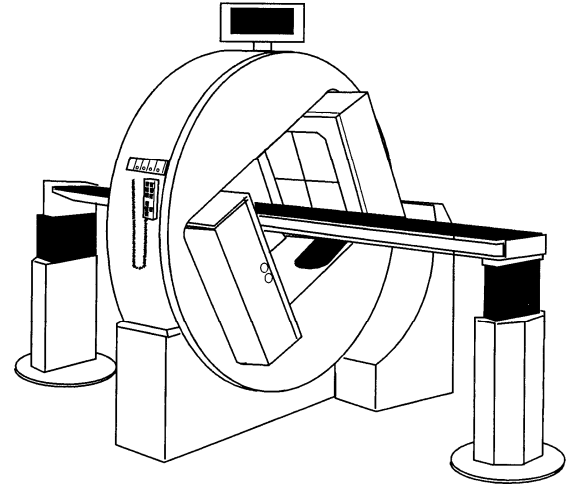
How is the prostate scan done?

- The prostate scan is done in Nuclear Medicine. You will be given 3 appointment times. During the **first appointment**, you will be given further instructions and you will have a chance to have any questions you have about the test answered. You will also be injected with a radioactive material through a vein in your arm. This first visit will take about 45 minutes.

- Your **second appointment** will be scheduled 4 days later, and will last about 3 hours. You will have total body images done.

You will then have a tube, called a Foley catheter put into your bladder to drain your urine. This will keep your bladder empty during the next set of SPECT CT images. Your tagged blood will be given back to you. Images of your pelvis will then be taken. The Foley catheter will be taken out at the end of this part of the test.

- Your **third appointment** will be 5 days after your first appointment. This visit should take about 2 hours. SPECT CT images will be taken of areas requested by the Nuclear Medicine doctor.
- A prostate scan is an important test. Please ask your doctor or technologist if you have any questions.



Your first appointment for a prostate scan has been scheduled
at _____ on _____.

Your second appointment has been scheduled
at _____ on _____.

Your third appointment has been scheduled
at _____ on _____.

Your test is scheduled at:

- ❑ **University Hospital**, Nuclear Medicine, 211 East Doan Hall, 410 West 10th Avenue. You need to take the Doan Hall elevators to the 2nd floor. Report to the Radiology registration to the right of the elevators.

If you need to change your appointment, call Radiology Scheduling at 293-4333.

If you have a question about your test, please call Nuclear Medicine at 293-5774.

- ❑ **University Hospital East**, 1492 East Broad Street.

You need to stop at Main Registration on the first floor of the tower. This is near the main hospital entrance.

If you have to change your appointment, call Scheduling at 257-2222.

If you have a question about your test, please call Nuclear Medicine at 257-3670.

- ✦ **Talk to your doctor or others on your health care team if you have questions. You may request more written information from the Library for Health Information at (614) 293-3707 or email: health-info@osu.edu.**