

# Bone Scan

## What is a bone scan?

A bone scan is a test that looks at your skeletal system.

## Why am I having a bone scan?

This scan shows bone abnormalities and changes in bone function, often sooner than possible with ordinary x-rays.

## What about radiation?

The material that allows us to see your skeletal system contains a very small amount of radioactivity. This radioactive material passes through the kidneys and will be removed from the body in your urine within the next 24 hours.

**If you are breastfeeding, pregnant or think you might be, tell the radiologist or technologist before the injection.**

## How do I prepare for this test?

There is no special preparation for this scan.

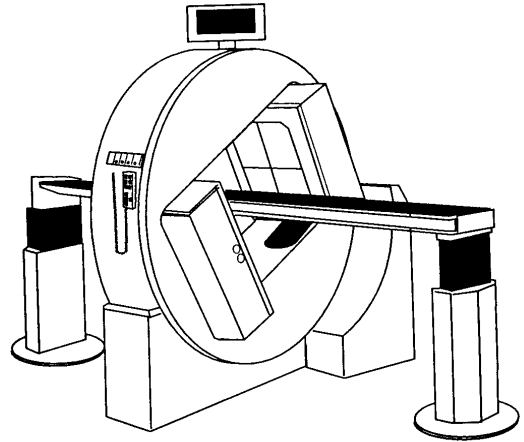
More on next page →

**Learn more about your health care.**

## How is the test done?

The bone scan is done in Nuclear Medicine. You will have two appointment times.

- The first appointment is for giving further instructions, answering any questions, and injecting the radioactive material. If you are to have a three phase bone scan, images will be taken during the injection, after 5 minutes and 3 hours later.
- The second appointment, 3 hours later, is when the scan is done. You are allowed to eat and drink anything during this time unless you are on a diet restriction for another test or surgery. You do not have to stay in the Nuclear Medicine Division between the two appointments. However, you must be on time to prevent any inconvenience to yourself or others. You will not have to change clothes. You will lie on a table while a camera-like machine moves above and below you. The scan lasts about 45 minutes.



A bone scan is an important test. Please ask your doctor or technologist if you have any questions.

Your first appointment for a bone scan has been scheduled at \_\_\_\_\_ on \_\_\_\_\_.

Your second appointment for a bone scan has been scheduled at \_\_\_\_\_ on \_\_\_\_\_.

Your test is scheduled at:

- ❑ OSU Medical Center, Nuclear Medicine, 211 East Doan Hall, 410 West 10th Avenue.

You need to take the Doan Hall elevators to the 2nd floor. Report to the Radiology registration to the right of the elevators.

If you need to **change your appointment**, call Radiology Scheduling at (614) 293-4333.

If you have a **question about your test**, please call Nuclear Medicine at (614) 293-5774.

- ❑ University Hospital East, 1492 East Broad Street.

You need to stop at Main Registration on the first floor of the tower. This is near the main hospital entrance.

If you have to change your appointment, call Scheduling at (614) 257-2222.

If you have a question about your test, please call Nuclear Medicine at (614) 257-3670.

- ✦ **Talk to your doctor or others on your health care team if you have questions. You may request more written information from the Library for Health Information at (614) 293-3707 or email: [health-info@osu.edu](mailto:health-info@osu.edu).**